

Noah Merrill Replacement Window Measuring Instructions



These instructions are intended as a basic guide for replacement window measuring.

- A. Begin with measuring the width of the window to be replaced.

WIDTH: Measure between the window jambs at three points; top, middle, and bottom. Use the smallest measurement for sash opening.

- B. Next measure for height.

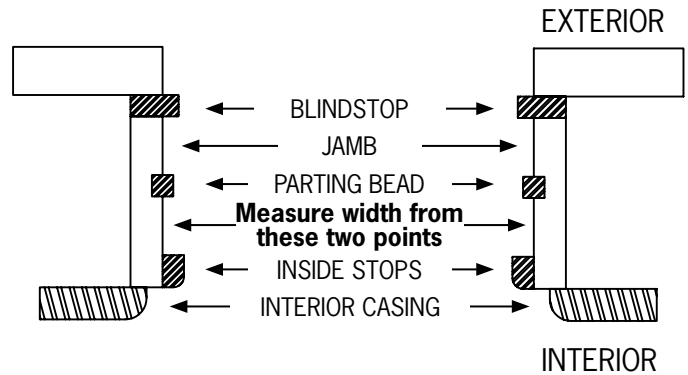
HEIGHT: Measure from head jamb to sill at the highest point of the sill. (The point closest to the interior stool cap.)

- C. Measure diagonals to check for squareness.

Noah Merrill replacement units are manufactured to the nearest 1/8-inch in width and height for sash opening.

Do not remove the old window until the dimensions of the new window have been verified to fit the opening properly.

A. Width



B. Height

